



**MILLENNIUM
SURGICAL**

SURGICALINSTRUMENTS.COM

UNMATCHED SERVICE · UNLIMITED INSTRUMENTS

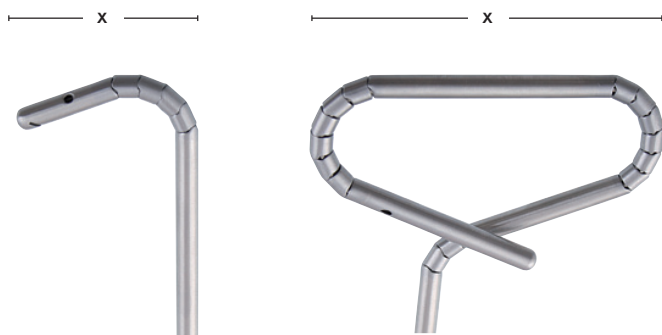
822 Montgomery Ave #205
Narberth, PA 19072
(800) 600-0428

Laparoscopic Articulating Retractors

Change the form of the tips by adjusting the wheel on the handle.



For the retraction of organs and structures during laparoscopic procedures.



	x = 40 mm	x = 75 mm
∅ 5 mm, 310 mm - 12¼"	tk 704-123	tk 704-124

Finger-Retraktor
Finger retractor

Triangular-Retraktor
Triangular retractor